

# Fast-Set Plural-Component Equipment and Accessories

For Foam and Coatings Applications



PROVEN QUALITY. LEADING TECHNOLOGY.

# Engineered for Performance



## Complete systems for superior results

Whether you're spraying polyurethane foam insulation in a home, commercial building or rooftop, or applying polyurea to coat a bedliner or to protect any other substrate, Graco Plural-Component Proportioner Systems help you get the job done with superior results.

You'll discover that Graco equipment is easy to use, rugged, reliable and easy to maintain.

From entry-level models to high-output systems, there's a Graco Plural-Component Proportioning System that's ideal for your application.

### Applications:

#### Polyurethane Foam

- Residential wall insulation
- Rim and band joist
- Roof insulation
- Aerospace
- Commercial walls

#### Coatings

- Concrete joint filling
- Marine and shipbuilding
- Potable water
- Wastewater treatment
- Truck bedliners
- Secondary containment
- Adhesives and caulk
- Waterproofing
- Tank and pipe coating
- Foundations

## Build a complete system in just a few steps

### 1 SELECT A PROPORTIONER

Choose an air, electric or hydraulic model.

#### KEY FEATURES:

- Quick knockdown fluid sections
- Optional data reporting capabilities
- Foam models rated at 138 bar (2000 psi, 13.8 MPa)
- Coatings models rated up to 240 bar (3500 psi, 24.0 MPa)

### 2 SELECT HEATED HOSES

Choose from pressure ratings of 138 to 240 bar (2000 psi or 3500 psi, 13.8 to 24.0 MPa).  
Choose 3/8" in or 1/2" in internal diameter.

### 3 SELECT HEATED WHIP HOSE

Choose from pressure ratings of 138 to 240 bar (2000 psi or 3500 psi, 13.8 to 24.0 MPa).  
Choose 1/4" in or 3/8" in internal diameter.

### 4 SELECT A GUN

Choose an air-purge, mechanical-purge or liquid-purge gun with a round or flat pattern.

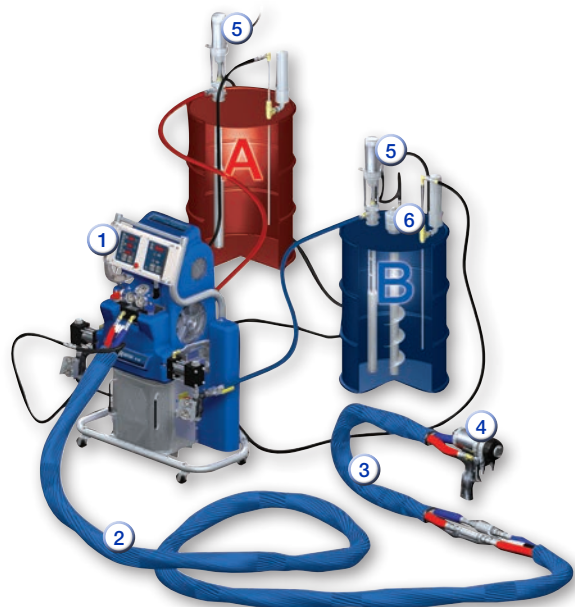
### 5 SELECT SUPPLY PROCESSING EQUIPMENT

#### 5 SUPPLY PUMP

Choose from diaphragm or piston pumps for standard materials in drum-mount or wall-mount. Select a 2:1 piston pump for materials with higher viscosities.

#### 6 AGITATOR KITS

Choose a kit to agitate your resin for a consistent coating. Graco's patented Twistork™ agitators are very low shear to minimize material frothing.



# Air, Electric and hydraulic systems

## Which system is right for you?

### AIR-DRIVEN

- Entry-level proportioning system
- Low-output applications
- Easy to use
- Minimal system feedback for operator



Reactor™ A-25

### ELECTRIC

- The most popular proportioning system
- High value for great performance
- Mid- to high-output applications
- Provides operator with material data and system diagnostics for total control



Reactors E-10, E-20, E-30, E-XP1, E-XP2

### HYDRAULIC

- Top of the line system for high-production professionals
- Highest value for the greatest performance
- High-output applications
- Ideal for in-plant OEMs
- Provides superior, uninterrupted performance
- Provides operator with material data and system diagnostics for total control



Reactors H-25, H-40, H-50, H-XP2, H-XP3

### PERFORMANCE CHARTS

Use these charts to help identify the proportioner that will work most efficiently with each mix chamber. Flow rates are based on a material viscosity of 60 cps. See examples below.

#### HOW TO USE THESE GRAPHS ▶

- Select spray pressure
- Select mix chamber or flow rate
- Choose proportioner model

*Note: Darker shading includes proportioner models shown in lighter shaded areas.*

#### FOAM EXAMPLE

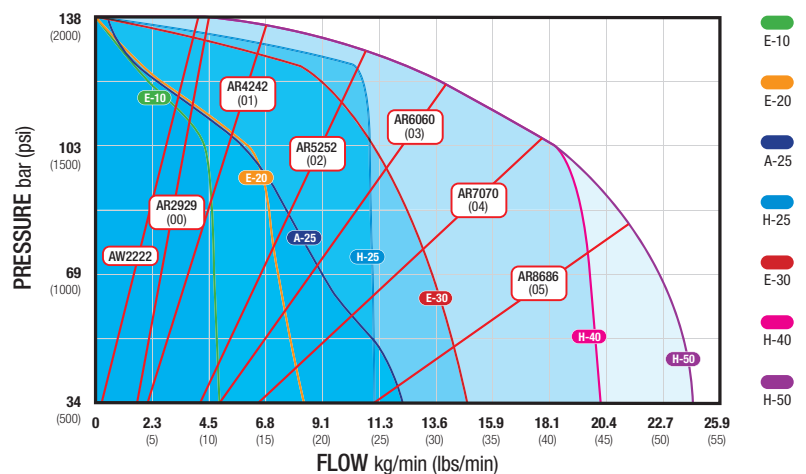
Mix chamber: AR6060 (03)  
 Pressure: 86 bar (1250 psi, 8.6 MPa)  
 Flow rate: 10 liter/min\*  
 Proportioners H-25, E-30, H-40, H-50

#### COATING EXAMPLE

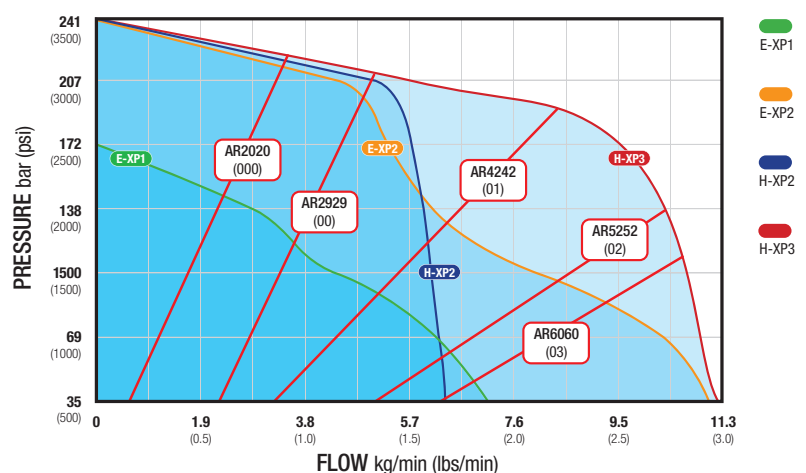
Mix chamber: AR2929 (00)  
 Pressure: 103 bar (1500 psi, 10.3 MPa)  
 Flow rate: 3,4 liter/min\*  
 Proportioners E-XP1, E-XP2, H-XP2, H-XP3

\* Output of flat tip will be slightly less than round equivalent.

### PROPORTIONERS FOR FOAM



### PROPORTIONERS FOR COATINGS



# Electric Proportioners

Preferred choice for medium- to high-output foam or coatings applications

## Reactor E-Series: High performance at an outstanding value

Equipped with material data and system diagnostics, Reactor E-Series proportioners provide total control. Advanced features provide longer equipment life, more uptime for your spray day and overall Graco reliability.

- Circulation valves with longer-lasting seals
- Longer-lasting modular heater control boards that reduce downtime
- Heat transformers that don't require tap settings
- Models include: E-10, E-20, E-30, E-XP1, E-XP2

### Digital Heat and Pressure Controls

Allow you to precisely program temperatures and pressures, and monitor machine performance

### Powerful Hybrid Heaters

Provide better temperature control

### ISO Pump Lube System

Prevents isocyanate crystallization on the pump seal and shaft

### Quick Knockdown Lower Pumps

For easy disassembly and maintenance

### Rugged, Portable Design

Easy maneuverability around the jobsite



### Electric Motor

Provides superior efficiency and performance

### Circulation Valves

Reduce isocyanate crystallization while offering more controlled pressure balancing

### Hose Control

Reliable and accurate hose connection system. Flexible fluid temperature sensor allows you to monitor and control temperature closer to the gun.

### Heat Platform

Circuit board is divided into easy-to-replace modules that simplify troubleshooting and maintenance, maximizing spray time

## COMPACT AND PORTABLE



### Reactor E-10

Get smaller jobs done fast without sacrificing performance. Graco's portable E-10 sprayers are ideal for plural-component spray, joint-fill jobs and touch-ups.

- Electric power is low draw and plugs into standard outlets
- Intuitive start, stop and digital temperature display with single knob operation
- Easy-to-service fluid section reduces maintenance and increases productivity
- Electric motor improves performance and reduces operating costs
- Heaters and hose give up to 2000 watts to pre-heat circulating material

### Applications

#### Foam Insulation

- Rim joists
- Roof patching
- Prep work
- Window repair

#### Coatings

- Small industrial jobs
- Concrete joint filling and flooring applications
- Small tank spraying using cold spray polyurea
- Industrial maintenance
- Hybrid polyureas

# Hydraulic Proportioners

Top of the line equipment for high-production professionals

## Reactor H-Series: Superior power and performance

Graco's line of hydraulic Reactors brings increased yield and performance to high-output spraying. Hydraulic systems are the choice of spraying professionals who want to reap the benefits of the latest spraying technologies and add productivity to boost their bottom line.

- Adjustable pressure imbalance for tighter or looser ratio error detection
- Flexibility to change A or B pumps for fixed ratio application other than 1:1
- Models include: H-25, H-40, H-50, H-XP2, H-XP3 and H-VR

### Digital Heat and Pressure Controls

Allow you to precisely program temperatures and pressures, and monitor machine performance

### Circulation Valves

Reduce isocyanate crystallization while offering more controlled pressure balancing

### Hose Control

Reliable and accurate hose connection system. Flexible fluid temperature sensor allows you to monitor and control temperature closer to the gun.

### ISO Pump Lube System

Prevents isocyanate crystallization on the pump seal and shaft

### Powerful Hybrid Heaters

Heat material quickly and maintain temperature set points – even when spraying at maximum flow rates

### Horizontal Pumps

Positive displacement pumps are easy to service and provide smoother changeover for maintaining best spray pattern

### Troubleshooting Y-Strainer

Analog temperature and pressure gauges are standard

### Heat Platform

Circuit board is divided into easy-to-replace modules that simplify troubleshooting and maintenance, maximizing spray time



## VARIABLE RATIO DISPENSING

### ◀ Reactor H-VR – Variable Ratio Hydraulic Proportioner

The Reactor H-VR combines proven Graco hydraulic Reactor technology with variable ratio capabilities.

- For applications that require a range or difference in volumetric ratio
- Infinitely adjustable volume ratio from 1:1 to 2.5:1
- Dispenses polyurethane foams and polyurea coatings
- Rated for 240 bar max working pressure
- 15,300 watt heaters

### Ordering Information

Gun and hose sold separately

256886 Reactor H-VR, 230-volt, 3-ph

256887 Reactor H-VR, 400-volt, 3-ph



# Air-Driven Proportioners

Easy-to-use, entry-level system for low-output applications

## Reactor A-25: Superior performance with long-lasting durability

The Reactor A-25 is a Graco-engineered spray foam proportioner that gives you the reliability you expect on the jobsite. It maintains consistent temperature control, even when you're spraying at maximum flow rates - resulting in better quality foam.

- Maintains temperature setpoints for better yield
- Maintains consistent output pressure for uniform-spray pattern
- Easy to operate and maintain
- Best choice for affordability and long-lasting durability

### *DataTrak™ Control*

- Resettable counter tracks material usage

### *Three Heat Zones*

- Three independent heat zones – ISO, resin and hose heat
  - Provide accurate heat control for reliable spraying to handle different chemical viscosities
  - Digital temperature controls

### *Recirculation Manifold*

- A quick, easy way to balance system pressures

### *NXT™ Air Motor*

- Low air consumption for increased efficiency
- Muffler provides low operating noise levels
- Air valve provides smooth and rapid changeover



### *Hybrid Heater*

- Provides better temperature control

### *Quick Knockdown Lower Pumps*

- For easy disassembly and maintenance

### *ISO Pump Lube System*

- Prevents isocyanate crystallization on the pump seal and shaft



# Transfer Pumps and Agitator Kits

Engineered for more output, better performance and great value

## T1 AND T2 TRANSFER PUMP FAMILY ▼

	Part Number	Ratio	Maximum output – continuous	Maximum output – intermittent	Maximum input air pressure	Maximum output fluid pressure	Maximum ambient temperature	Maximum fluid temperature	Weight	Dimensions	Manual Number
<b>T1</b>	256200	2:1	9.5 lpm (2.5 gpm)	15 lpm (4.0 gpm)	12 bar (180 psi, 1.2 MPa)	25 bar (360 psi, 2.5 MPa)	50°C (120°F)	82°C (180°F)	8.4 kg (18 lb)	130.8 cm (51.5 in) length; 66 mm (2.6 in) diameter (cap)	312766
<b>T2</b>	295616	2.25:1	19 lpm (5.0 gpm)	28 lpm (7.5 gpm)	12 bar (180 psi, 1.2MPa)	28 bar (405 psi, 2.8MPa)	50°C (120°F)	88°C (190°F)	9.5 kg (21 lb)	137 cm (54 in) length; 89 mm (3.5 in) diameter (cap)	311882

- The T2 design doubles the output – from 9.5l to 19l – able to keep up with high-output proportioners
- The smaller T1 pump allows for lower 2:1 output, ideal for spraying applications
- Quick-disconnect feature allows easier drum removal and faster change-outs
- Improved fluid intake easily handles higher viscosity materials – even in cold conditions
- Reliable and cost-effective



### Quick-release Bung Adapter

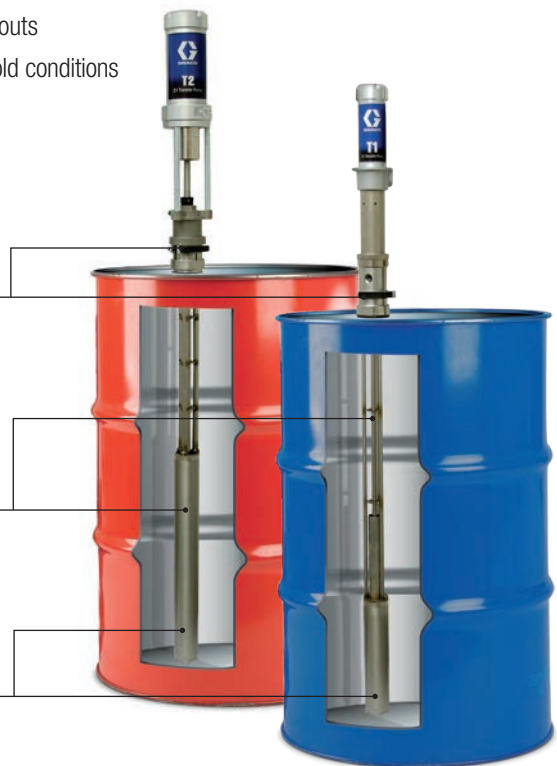
For easy drum removal without interference from hose connections

### Corrosion-resistant Components

Stainless steel wetted parts

### PTFE Seals

Improved performance for less maintenance



## TWISTORK HELIX MIXER

- Air-operated with a variable-speed, 1.5 HP motor, capable of 7 bar (100 psi, 0.7 MPa) maximum working pressure
- Available in carbon steel and stainless steel
- Built for long-life, corrosion-resistance and structural integrity
- Patented, helix-shaped mixing blades are threaded through a closed-head drum's standard bung opening
- Heavy-duty agitator features lube-free assembly, eliminating fluid contamination
- Gentle mixing reduces degradation and splashing, compared to propeller blades

# Graco Proportioners for Foam

## Technical Specifications and Ordering Information



	AIR-DRIVEN	ELECTRIC (E SERIES)	
MODEL	A-25	E-10	E-20
<b>Maximum Working Pressure</b>	138 bar (2000 psi, 13.8 MPa)  800 liter air consumption@ 6,8 bar (100 psi)	138 bar (2000 psi, 13.8 MPa)	138 bar (2000 psi, 13.8 MPa)
<b>Minimum Working Pressure</b>	N/A	N/A	N/A
<b>Maximum Hose Length</b>	64m (210 ft)	32m (105 ft)	64m (210 ft)
<b>Maximum Fluid Temp</b>	88°C (190°F)	71°C (160°F)	88°C (190°F)
<b>Output</b>	11.4 kg (25 lb) / min	5.4 kg (12 lb) /min	9 kg (20 lb) /min
<b>Weight</b>	140 kg	Heated: 72 kg Unheated: 68 kg	155 kg
<b>Ordering Information</b>	<p><b>WITH 6.0 KW HEATER:</b></p> <p><b>40A-230V, 1-ph</b> 262614 (Bare) AP2614 (AP Pkg) CS2614 (CS Pkg) P22614 (P2 Pkg)</p> <p><b>32A-230V, 3-ph</b> 262614 (Bare) AP2614 (AP Pkg) CS2614 (CS Pkg) P22614 (P2 Pkg)</p> <p><b>18.5A-4V, 3-ph (4-wire)</b> 262614 (Bare) AP2614 (AP Pkg) CS2614 (CS Pkg) P22614 (P2 Pkg)</p>	<p><b>WITH 1.7 KW HEATER:</b></p> <p><b>15A-120V, 2-cord</b> 249570 (Bare) AP9570 (AP Pkg) CS9570 (CS Pkg)</p> <p><b>WITH 2.0 KW HEATER:</b></p> <p><b>10A-240V, 2-cord</b> 249571 (Bare) AP9571 (AP Pkg) CS9571 (CS Pkg)</p> <p><b>20A-240V, 1-cord</b> 249572 (Bare) AP9572 (AP Pkg) CS9572 (CS Pkg)</p> <p><b>UNHEATED AMBIENT SYSTEM:</b></p> <p><b>15A-120V</b> 249576 (Bare) 249806 (Pkg)</p> <p><b>10A-240V</b> 249577 (Bare) 249808 (Pkg)</p>	<p><b>WITH 6.0 KW HEATER:</b></p> <p><b>48A-230V, 1-ph</b> 259025 (Bare) AP9025 (AP Pkg) CS9025 (CS Pkg) P29025 (P2 Pkg)</p> <p><b>32A-230V, 3-ph</b> 259034 (Bare) AP9034 (AP Pkg) CS9034 (CS Pkg) P29034 (P2 Pkg)</p> <p><b>24A-400V, 3-ph</b> 259030 (Bare) AP9030 (AP Pkg) CS9030 (CS Pkg) P29030 (P2 Pkg)</p>
<b>Operation manual</b>	3A1569	311075	312065
<b>Repair manual</b>	3A1570	311075	312066

Packages include spray hose, whip hose and gun.





					HYDRAULIC (H SERIES)							
					E-30		H-25		H-40		H-50	
					138 bar (2000 psi, 13.8 MPa)		138 bar (2000 psi, 13.8 MPa)		138 bar (2000 psi, 13.8 MPa)		117 bar (1700 psi, 11.7 MPa) 1-ph  138 bar (2000 psi, 13.8 MPa) 3-ph	
					N/A		59 bar (850 psi, 5.9 MPa)		41 bar (600 psi, 4.1 MPa)		41 bar (600 psi, 4.1 MPa)	
					94 m (310 ft)		94 m (310 ft)		125m (410 ft)		125m (410 ft)	
					88°C (190°F)		88°C (190°F)		88°C (190°F)		88°C (190°F)	
					13.5 kg (30 lb) /min		10 kg (22 lb) /min		20 kg (45 lb) /min		23.6 kg (52 lb) /min	
					181 kg		8 kW: 243 kg 15 kW: 255 kg		271 kg		271 kg	
					<b>WITH 10.2 KW HEATER:</b>		<b>WITH 8.0 KW HEATER:</b>		<b>WITH 12.0 KW HEATER:</b>		<b>WITH 12.0 KW HEATER:</b>	
					<b>78A-230V, 1-ph</b> 259026 (Bare) AP9026 (AP Pkg) CS9026 (CS Pkg) P29026 (P2 Pkg)		<b>69A-230V, 1-ph</b> 255400 (Bare) AP5400 (AP Pkg) CS5400 (CS Pkg) P25400 (P2 Pkg)		<b>100A-230V, 1-ph</b> 253400 (Bare) AP3400 (AP Pkg) P23400 (P2 Pkg)		<b>100A-230V, 1-ph</b> 253725 (Bare) AP3725 (AP Pkg) P23725 (P2 Pkg)	
					<b>50A-230V, 3-ph</b> 259035 (Bare) AP9035 (AP Pkg) CS9035 (CS Pkg) P29035 (P2 Pkg)		<b>46A-230V, 3-ph</b> 255401 (Bare) AP5401 (AP Pkg) CS5401 (CS Pkg) P25401 (P2 Pkg)		<b>WITH 15.3 KW HEATER:</b> <b>71A-230V, 3-ph</b> 253401 (Bare) AP3401 (AP Pkg) P23401 (P2 Pkg)		<b>WITH 15.3 KW HEATER:</b> <b>71A-230V, 3-ph</b> 253726 (Bare) AP3726 (AP Pkg) P23726 (P2 Pkg)	
					<b>34A-400V, 3-ph</b> 259031 (Bare) AP9031 (AP Pkg) CS9031 (CS Pkg) P29031 (P2 Pkg)		<b>35A-400V, 3-ph</b> 255402 (Bare) AP5402 (AP Pkg) CS5402 (CS Pkg) P25402 (P2 Pkg)		<b>41A-400V, 3-ph</b> 253402 (Bare) AP3402 (AP Pkg) P23402 (P2 Pkg)		<b>41A-400V, 3-ph</b> 253727 (Bare) AP3727 (AP Pkg) P23727 (P2 Pkg)	
					<b>WITH 15.3 KW HEATER:</b>		<b>WITH 15.3 KW HEATER:</b>		<b>WITH 20.4 KW HEATER:</b> <b>95A-230V, 3-ph</b> 253407 (Bare) AP3407 (AP Pkg) P23407 (P2 Pkg)		<b>WITH 20.4 KW HEATER:</b> <b>95A-230V, 3-ph</b> 256505 (Bare) AP6505 (AP Pkg) P26505 (P2 Pkg)	
					<b>100A-230V, 1-ph</b> 259057 (Bare) AP9057 (AP Pkg) CS9057 (CS Pkg) P29057 (P2 Pkg)		<b>100A-230V, 1-ph</b> 255406 (Bare) AP5406 (AP Pkg) CS5406 (CS Pkg) P25406 (P2 Pkg)		<b>52A-400V, 3-ph</b> 253408 (Bare) AP3408 (AP Pkg) P23408 (P2 Pkg)		<b>52A-400V, 3-ph</b> 256506 (Bare) AP6506 (AP Pkg) P26506 (P2 Pkg)	
					<b>62A-230V, 3-ph</b> 259058 (Bare) AP9058 (AP Pkg) CS9058 (CS Pkg) P29058 (P2 Pkg)		<b>59A-230V, 3-ph</b> 255407 (Bare) AP5407 (AP Pkg) CS5407 (CS Pkg) P25407 (P2 Pkg)					
					<b>35A-400V, 3-ph</b> 259059 (Bare) AP9059 (AP Pkg) CS9059 (CS Pkg) P29059 (P2 Pkg)		<b>35A-400V, 3-ph</b> 255408 (Bare) AP5408 (AP Pkg) CS5408 (CS Pkg) P25408 (P2 Pkg)					
					312065		312062		312062		312062	
					312066		312063		312063		312063	

# Graco Proportioners for Coatings

## Technical Specifications and Ordering Information



		ELECTRIC (E SERIES)	
MODEL	E-XP1	E-XP2	
<b>Maximum Working Pressure</b>	172 bar (2500 psi, 17.2 MPa)	240 bar (3500 psi, 24.0 MPa)	
<b>Minimum Working Pressure</b>	N/A	N/A	
<b>Maximum Hose Length</b>	64m (210 ft)	94m (310 ft)	
<b>Maximum Fluid Temp</b>	88°C (190°F)	88°C (190°F)	
<b>Output</b>	3.8 lpm (1.0 gpm)	7.6 lpm (2.0 gpm)	
<b>Weight</b>	155 kg	198 kg	
<b>Ordering Information</b>	<b>WITH 10.2 KW HEATER:</b>  <b><u>69A-230V, 1-ph</u></b> 259024 (Bare) AP9024 (AP Pkg) P29024 (P2 Pkg)  <b><u>43A-230V 3-ph</u></b> 259033 (Bare) AP9033 (AP Pkg) P29033 (P2 Pkg)  <b><u>24A-400V, 3-ph</u></b> 259029 (Bare) AP9029 (AP Pkg) P29029 (P2 Pkg)	<b>WITH 15.3 KW HEATER:</b>  <b><u>100A-230V, 1-ph</u></b> 259028 (Bare) AP9028 (AP Pkg) P29028 (P2 Pkg)  <b><u>62A-230V, 3-ph</u></b> 259036 (Bare) AP9036 (AP Pkg) P29036 (P2 Pkg)  <b><u>35A-400V, 3-ph</u></b> 259032 (Bare) AP9032 (AP Pkg) P29032 (P2 Pkg)	
<b>Operation manual</b>	312065	312065	
<b>Repair manual</b>	312066	312066	

Packages include spray hose, whip hose and gun.



HYDRAULIC (H SERIES)	
H-XP2	H-XP3
240 bar (3500 psi, 24.0 MPa)	240 bar (3500 psi, 24.0 MPa)
83 bar (1200 psi, 8.3 MPa)	59 bar (850 psi, 5.9 MPa)
94 m (310 ft)	125m (410 ft)
88°C (190°F)	88°C (190°F)
5.7 lpm (1.5 gpm)	10.6 lpm (2.8 gpm)
255 kg (562 lb)	271 kg (597 lb)
<b>WITH 15.3 KW HEATER:</b>  <b><u>100A-230V, 1-ph</u></b> 255403 (Bare) AP5403 (AP Pkg) P25403 (P2 Pkg)  <b><u>59A-230V, 3-ph</u></b> 255404 (Bare) AP5404 (AP Pkg) P25404 (P2 Pkg)  <b><u>35A-400V, 3-ph</u></b> 255405 (Bare) AP5405 (AP Pkg) P25405 (P2 Pkg)	<b>WITH 12.0 KW HEATER:</b>  <b><u>100A-230V, 1-ph</u></b> 253403 (Bare) AP3403 (AP Pkg) P23403 (P2 Pkg)  <b>WITH 20.4 KW HEATER:</b> <b><u>95A-230V, 3-ph</u></b> 253404 (Bare) AP3404 (AP Pkg) P23404 (P2 Pkg)  <b><u>52A-400V, 3-ph</u></b> 253405 (Bare) AP3405 (AP Pkg) P23405 (P2 Pkg)
312062	312062
312063	312063

# Liquid-Purge Guns

Unprecedented features that will change the way you spray

## Fusion® CS with ClearShot™ Technology – A new class of spray gun

Graco's new Fusion CS plural-component spray gun with ClearShot (CS) Technology delivers improved productivity and performance throughout the spray day. The secret of the revolutionary ClearShot Technology is the ClearShot Liquid which is inserted into the gun's handle. Every time you pull the trigger, ClearShot Liquid is dispensed into the mix chamber and helps remove any built-up chemical – keeping it clean.

### CLEARSHOT TECHNOLOGY

- ClearShot Liquid helps remove built-up material – virtually eliminating drilling of mix chamber
- Maximizes daily spraying uptime and annual productivity
- Maintains patterns and maximizes each kit with a clean mix chamber, saving time and money on material



### Liquid-Purge

- Reduces purge air by 75%, minimizing material blowback
- Gain flexibility and maneuverability to spray in small, tight areas

### Industry-First Quick-Change Front End

- Swap out fluid head in seconds
- Non-stick polymer cover for easy cleanup
- "Air knife" – reduces material buildup

### Variable Flow Setting

- Switch from large to small spray patterns in seconds
- Ten different settings

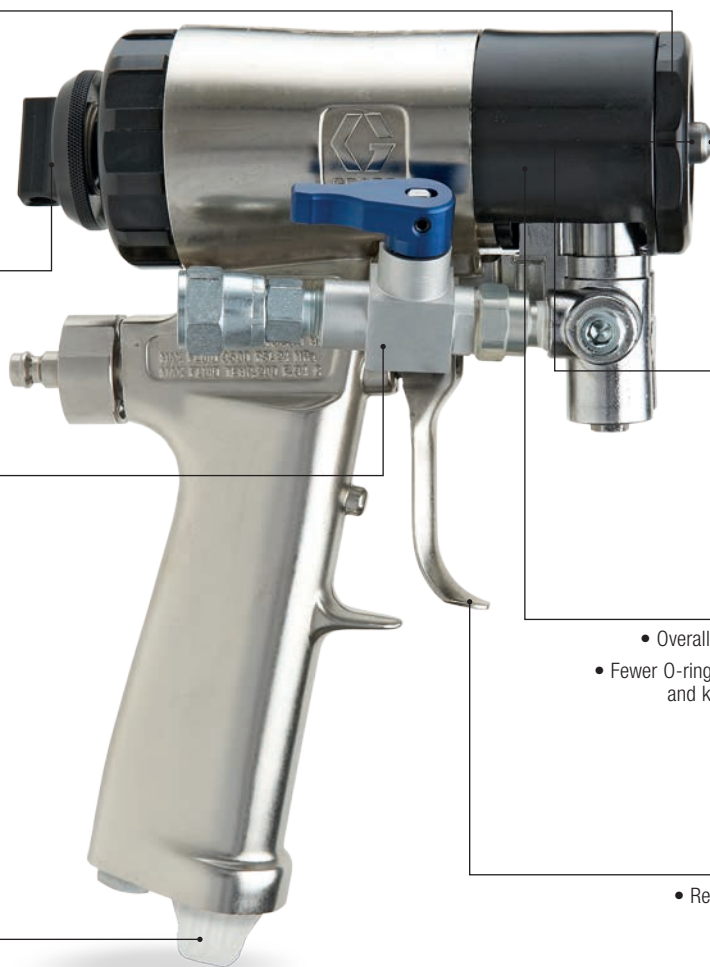
### New Manifold

- Easy on/off valves
- Check valves block fluid flow when manifold is disconnected
- Quick filter screen change-outs



### New ClearShot Cartridge

Keeps gun mix chamber clear



### Chromex™-Coated Side Seals and Mix Chamber

- More resistance to corrosion and wear
- Save time and money in replacements over the long-term

### Screw-in-Place Side Seals

- Overall maintenance is quicker and simpler
- Fewer O-rings ensure better crossover protection and keep appropriate mix and proportions of material for better end results

### Faster/Shorter Trigger Pull

- Responsive trigger delivers quick shots
- Diminishes operator fatigue

# Air-Purge Guns

Plural-component spraying made easy

## Fusion AP – Easy to use, easy to maintain

- Air-blast tip cleaning reduces build-up and tip clogging
- Hardened stainless steel mix chambers are built to last
- Longer life side seals reduce maintenance and let you spray a wider range of materials – choose from hardened stainless steel or PolyCarballoy options
- Advanced mix module and tip design improves mixing
- Solvent-resistant components and O-rings let you soak the whole gun without swelling or damage
- Daily maintenance in a matter of seconds with the quick-shot grease port
- Easy-to-use design makes maintenance quick and easy



### Quick-Release Fluid Housing

Easily change mix chambers without tools

### Hand-Tightened Front Cap

Clean and maintain seals and mix chamber without tools

### Cyclone-Mix™ Chamber

Hardened stainless steel construction for longer life

### Durable Side Seals

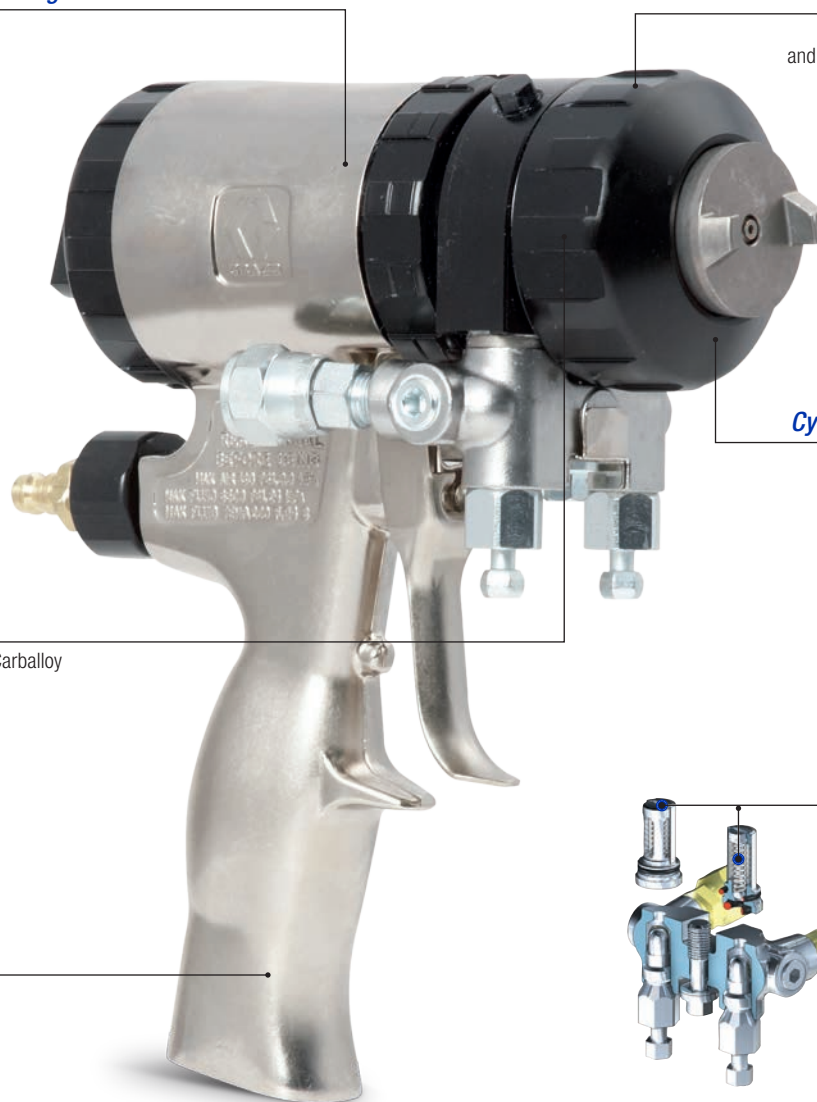
Rugged stainless steel or PolyCarballoy construction for longer life

### Check Valves with Screens

Cartridge design for easy maintenance

### Ergonomic Handle

Smooth curved handle improves operator comfort and reduces fatigue



# Air-Purge Guns

Plural-component spraying made easy

## PROBLER™ P2 – Compact and ergonomic

Recognized by the industry for its superior performance, the P2 gun's light, easy-to-handle design lets you spray and maneuver easily – even in difficult spraying positions. At the end of the day, maintenance is easy. No cleaning small air passages with tiny drill bits. The P2 has check valves that separate the liquid portion and dry side of the gun.

- Responsive trigger action – double piston design provides more than 136 kg (300 pounds) of triggering force
- The mix chamber insert can be replaced without replacing the entire chamber
- Anti-crossover design virtually eliminates possibility of material entering the air piston

### P2 ELITE

- P2 model's side blocks offer alternate hose routing configurations
- Allows access to ISO and resin filters without removing side blocks
- Allows use of additional accessories



### Grease Fitting

For quick daily maintenance

### Two-Piece Mix Chamber

Designed to reduce downtime

### Powerful Dual Air Piston

- Provides strong trigger force
- Dramatically increases mix chamber pull-back pressure

### Ergonomic Handle and Balanced Design

Comfortable, compact and lightweight



# Mechanical-Purge Guns

Excellent material mix

## Fusion MP – Designed for superior mixing

- Handles from very low output, thin mil applications to large, high flow, high-output applications just by changing the mix module and tip
- Easy mechanical cleaning – mix modules and tips are cleaned with a drill bit
- Smoother finish and better atomization
- Offers more advanced features than all other mechanical-purge guns combined

## LONG-LASTING MIX MODULES PROVIDE EXCELLENT MIXING

- Advanced mix module and tip design provides excellent mix and material properties
- PolyCarballoy mix modules for proven long life
- CeramTip™ is durable and easy to change
- Significantly reduces repair and maintenance costs

### *Purge Rod*

Easy-to-set, one piece rod for longer life

### *CeramTip*

Durable and easy to change

### *Adjustable Front Packing*

### *PolyCarballoy Mix Module*

For proven long life

### *Ergonomic Handle*

Smooth curved handle improves operator comfort and reduces fatigue

### *Check Valves with Screens*

Cartridge design for easy maintenance



# Graco Plural-Component Spray Guns

## Technical Specifications



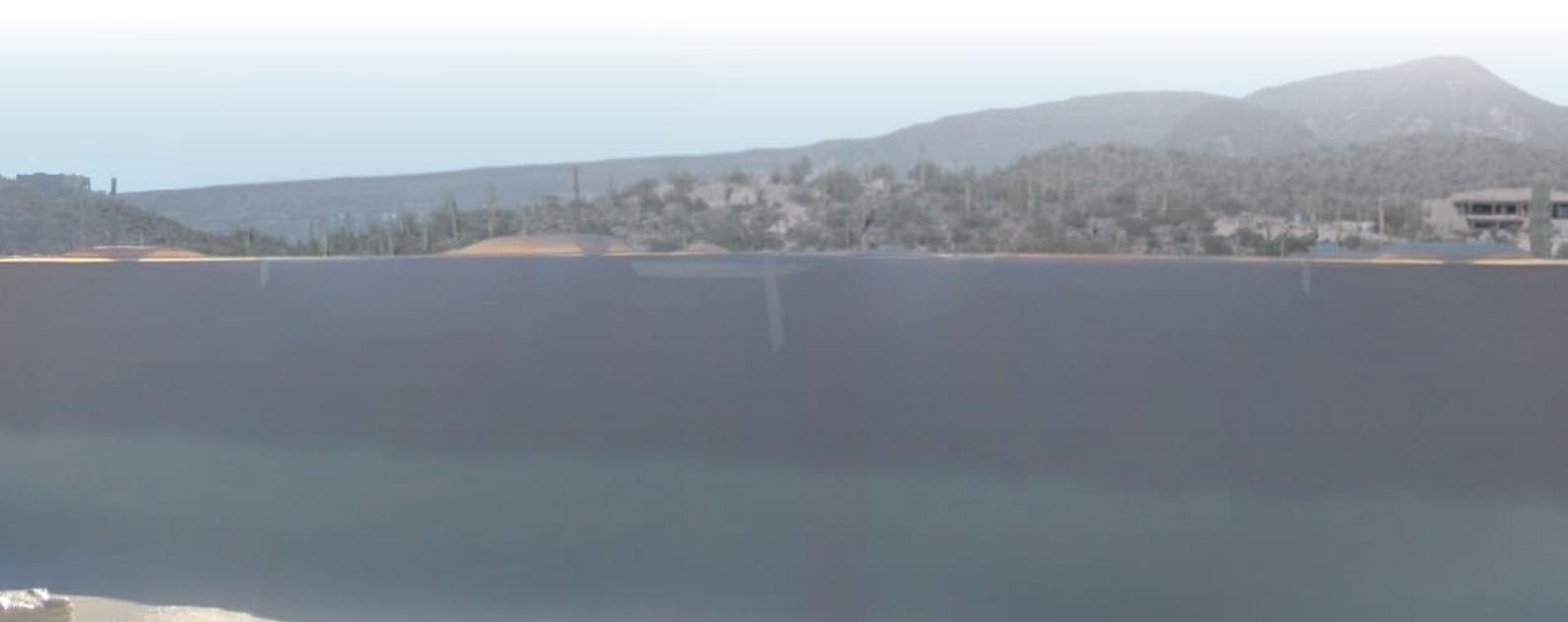
MODEL	LIQUID-PURGE FUSION CS	AIR-PURGE FUSION AP
<b>Materials sprayed</b>	Foam and coatings	Foam and coatings
<b>Maximum Output</b>	11.3 kg/min (25 lb/min)	22.7 kg/min (50 lb/min)
<b>Minimum Output</b>	<0.45 kg/min (< 1 lb/min)	1.4 kg/min (3 lb/min)
<b>Maximum Fluid Working Pressure</b>	240 bar (3500 psi, 24.0 MPa)	240 bar (3500 psi, 24.0 MPa)
<b>Maximum Working Air Inlet Pressure</b>	9 bar (130 psi, 0.9 MPa)	9 bar (130 psi, 0.9 MPa)
<b>Maximum Fluid Temperature</b>	94°C (200°F)	94°C (200°F)
<b>Weight (with manifold)</b>	1.2 kg (2.6 lb)	1.1 kg (3.1 lb)
<b>Air inlet size</b>	1/4 npt quick disconnect nipple	1/4 npt quick disconnect nipple
<b>A Component (ISO) inlet size</b>	-5 JIC; 1/2-20 UNF swivel	-5 JIC; 1/2-20 UNF swivel
<b>B Component (Resin) inlet size</b>	-6 JIC; 9/16-18 UNF swivel	-6 JIC; 9/16-18 UNF swivel
<b>Wetted Parts</b>	Aluminium, stainless steel, plated carbon steel, carbide, chemically resistant O-rings	Aluminium, stainless steel, plated carbon steel, carbide, chemically resistant O-rings
<b>Gun Dimensions</b>	19.1 x 20.6 x 8.4 cm (7.5 x 8.1 x 3.3 in)	19 x 20.6 x 8.4 cm (7.5 x 8.1 x 3.3 in)
<b>Instruction manual</b>	312666	309550
<b>Applications</b>	Residential foam insulation, roofing, other polyurethane foams and polyurea	Residential foam insulation, roofing, concrete, waterproofing and other polyurethane foams and elastomeric coatings







	<b>P2</b>	<b>MECHANICAL-PURGE FUSION MP</b>
	Foam and coatings	Foam and coatings
	18 kg/min (40 lb/min)	22.7 kg/min (50 lb/min)
	1.4 kg/min (3 lb/min)	0.9 kg/min (2 lb/min)
	221 bar (3200 psi, 22.1 MPa)	240 bar (3500 psi, 24.0 MPa)
	7.6 bar (110 psi, 0.76 Mpa)	9 bar (130 psi, 0.9 MPa)
	93°C (200°F)	94°C (200°F)
	1.4 kg (3.0 lb)	1.3 kg (3.4 lb)
	1/4 npt	1/4 npt quick disconnect nipple
	-5 JIC; 1/2-20 UNF swivel	-5 JIC; 1/2-20 UNF swivel
	-6 JIC; 9/16-18 UNF swivel	-6 JIC; 9/16-18 UNF swivel
	Aluminium, stainless steel, plated carbon steel, brass, carbide, fluorocarbon O-rings	Aluminium, stainless steel, plated carbon steel, brass, polycarbally, chemically resistant O-rings, UHMWPE, Ceram Tip
	17.5 x 22 x 8.9 cm (6.9 x 8.7 x 3.5 in)	19.3 x 20.6 x 7.9 cm (7.6 x 8.1 x 3.1 in)
	313213	309856
	Residential foam insulation, roofing, concrete, waterproofing and other polyurethane foams and elastomeric coatings	Residential foam insulation, roofing, concrete, waterproofing and other polyurethane foams and elastomeric coatings



# Gun Accessories

Choosing the correct mix chambers, modules and tips

## Choosing the right tips and mix chambers

1. Choose a Round or Flat pattern for your tip or mix chamber  
(typically round for foam and flat for coatings)
2. Specify "A" and "B" size for your orifice or chamber
3. Specify the desired tip size for your application

### LEGEND

#### Fusion CS:

- RD = Round Mix Chamber
- WD = Wide Mix Chamber
- FL = Flat Mix Chamber
- FT = Flat Tip

#### Fusion AP:

- AR = Air (purge) Round Mix Chamber
- AF = Air (purge) Flat Mix Chamber
- AW = Air Wide Round Mix Chamber
- FT = Flat Tip (air-purge)

#### Fusion MP:

- MR = Mechanical (purge) Round
- XR = Direct Impinge Round
- RTM = Round Tip Mechanical (purge)
- MF = Mechanical (Purge) Flat
- XF = Direct Impinge Flat
- FTM = Flat Tip Mechanical (purge)

## CHAMBER/ORIFICE CONVERSION

Use this conversion chart to convert the Chamber size to the Orifice size.

Chamber Size	Orifice Size
000	.020
00	.029
01	.042
02	.052
03	.060
04	.070
05	.086

Gun	Mix Chamber/Tip	Pattern at 61 cm (24 in) from target	Polyurea in liter/min (gpm) @ 138 bar (2000 psi)	Foam in kg/min (lb/min) @ 1000 psi
<b>Fusion CS Round</b>		x in (x mm)	x liter/min (x gpm)	x kg/min (x lb/min)
CS20RD	RD2020	127 mm (5 in)	1,9 (0,5)	1,5 (3)
CS00RD	RD0000	203 mm (8 in)	4,1 (1,1)	3,1 (7)
CS01RD	RD0101	279 mm (11 in)	6,1 (1,6)	4,1 (9)
CS02RD	RD0202	305 mm (12 in)	9,1 (2,4)	6,4 (14)
CS03RD	RD0303	356 mm (14 in)	NA	14,1 (9)
<b>Fusion CS Wide Round</b>				
CS22WD	WD2222	203 mm (8 in)	1,9 (0,5)	2,1 (4,5)
CS00WD	WD0000	381 mm (15 in)	4,1 (1,1)	3,1 (7)
CS01WD	WD0101	406 mm (16 in)	6,1 (1,6)	4,1 (9)
CS02WD	WD0202	457 mm (18 in)	9,1 (2,4)	6,4 (14)
CS03WD	WD0303	457 mm (18 in)	NA	14,1 (9)
<b>Fusion CS Flat</b>				
CS20F1	FL2020 w/FT0424	254 mm (10 in)	1,9 (0,5)	1,5 (3)
CS20F2	FL2020 w/FT0438	254 mm (10 in)	2,2 (0,6)	1,5 (3)
CS00F1	FL0000 w/FT0424	254 mm (10 in)	3,7 (1,0)	2,7 (6)
CS00F2	FL0000 w/FT0438	254 mm (10 in)	4,5 (1,2)	3,1 (7)
CS00F3	FL0000 w/FT0624	356 mm (14 in)	3,7 (1,0)	2,7 (6)
CS00F4	FL0000 w/FT0638	356 mm (14 in)	4,5 (1,2)	3,1 (7)
CS00F5	FL0000 w/FT0838	457 mm (18 in)	4,5 (1,2)	3,1 (7)
CS00F6	FL0000 w/FT0848	457 mm (18 in)	4,5 (1,2)	3,1 (7)
CS01F1	FL0101 w/FT0424	254 mm (10 in)	3,7 (1,0)	2,7 (6)
CS01F2	FL0101 w/FT0438	254 mm (10 in)	4,9 (1,3)	4,1 (9)
CS01F3	FL0101 w/FT0624	356 mm (14 in)	3,7 (1,0)	2,7 (6)
CS01F4	FL0101 w/FT0638	356 mm (14 in)	4,9 (1,3)	4,1 (9)
CS01F5	FL0101 w/FT0838	457 mm (18 in)	4,9 (1,3)	4,1 (9)
CS01F6	FL0101 w/FT0848	457 mm (18 in)	4,9 (1,3)	4,1 (9)
CS02F1	FL0202 w/FT0424	254 mm (10 in)	3,7 (1,0)	2,7 (6)
CS02F2	FL0202 w/FT0438	254 mm (10 in)	4,9 (1,3)	4,1 (9)
CS02F3	FL0202 w/FT0624	356 mm (14 in)	3,7 (1,0)	2,7 (6)
CS02F4	FL0202 w/FT0638	356 mm (14 in)	4,9 (1,3)	4,1 (9)
CS02F5	FL0202 w/FT0838	457 mm (18 in)	4,9 (1,3)	4,1 (9)
CS02F6	FL0202 w/FT0848	457 mm (18 in)	4,9 (1,8)	5,4 (12)
<b>Fusion Air-Purge Round</b>				
246099	AR2020	127 mm (5 in)	1,9 (0,5)	1,5 (3)
246100	AR2929	203 mm (8 in)	4,1 (1,1)	3,1 (7)
248617	AR3737	227 mm (9 in)	4,9 (1,3)	3,6 (8)
246101	AR4242	279 mm (11 in)	6,1 (1,6)	4,1 (9)
246102	AR5252	305 mm (12 in)	9,1 (2,4)	6,4 (14)
246103	AR6060	356 mm (14 in)	NA	14,1 (9)
246104	AR7070	381 mm (15 in)	NA	11,3 (25)
246105	AR8686	457 mm (18 in)	NA	15,8 (35)
<b>Fusion Air-Purge Wide Round</b>				
24D581	AW2828	381 mm (15 in)	4,1 (1,1)	3,1 (7)
NA	AW3333	381 mm (15 in)	4,9 (1,3)	3,6 (8)
249529	AW3939	406 mm (16 in)	6,1 (1,6)	4,1 (9)
249530	AW4646	457 mm (18 in)	9,1 (2,4)	6,4 (14)
NA	AW5757	457 mm (18 in)	NA	14,1 (9)
NA	AW6464	564 mm (22 in)	NA	11,3 (25)
NA	AW8282	610 mm (24 in)	NA	15,8 (35)

Gun	Mix Chamber/Tip	Pattern at 61 cm (24 in) from target	Polyurea in liter/min (gpm) @ 138 bar ( 2000 psi)	Foam in kg/min ( lb/min ) @ 1000 psi
<b>Fusion Air-Purge Flat</b>				
247101	AF2020 (FT0424)	254 mm (10 in)	2,2 ( 0,6 )	1,5 ( 3 )
247112	AF2929 (FT0438)	254 mm (10 in)	4,5 ( 1,2 )	3,1 ( 7 )
247124	AF4242 (FT0638)	356 mm (14 in)	4,9 ( 1,3 )	4,1 ( 9 )
247138	AF5252 (FT0848)	457 mm (18 in)	6,8 ( 1,8 )	5,4 ( 12 )
<b>Fusion Mechanical-Purge Round</b>				
247003	XR2323 (RTM030)	152 mm (6 in)	1,9 ( 0,5 )	1,8 ( 4 )
247007	XR2929 (RTM040)	203 mm (8 in)	3,4 ( 0,9 )	3,1 ( 7 )
247212 / 247012	MR3535 / XR3535 (RTM040)	203 mm (8 in)	4,5 ( 1,2 )	3,6 ( 8 )
247219 / 247019	MR4747 / XR4747 (RTM055)	227 mm (9 in)	6,4 ( 1,7 )	4,5 ( 10 )
247226 / 247026	MR5757 / XR5757 (RTM070)	254 mm (10 in)	10,2 ( 2,7 )	6,8 ( 15 )
247232	MR6666 (RTM080)	279 mm (11 in)	NA	21,8 ( 4 )
247239	MR8282 (RTM090)	305 mm (12 in)	NA	13,6 ( 30 )
247246	MR9494 (RTM110)	305 mm (12 in)	NA	34,1 ( 9 )
<b>Fusion Mechanical-Purge Flat</b>				
247051	XF1313 (FTM424)	254 mm (10 in)	0,6 ( 0,15 )	0,7 ( 1,5 )
247258 / 247058	MF1818 / XF1818 (FTM424)	254 mm (10 in)	1,2 ( 0,3 )	0,9 ( 2 )
247061	XF 2323 (FTM424)	254 mm (10 in)	1,5 ( 0,4 )	1,1 ( 2,5 )
247265 / 247065	MF2929 / XF2929 (FTM424)	254 mm (10 in)	2,2 ( 0,6 )	1,5 ( 3 )
247275 / 247075	MF3535 / XF3535 (FTM638)	356 mm (14 in)	3,4 ( 0,9 )	2,7 ( 6 )
247282 / 247082	MF4747 / XF4747 (FTM638)	356 mm (14 in)	4,1 ( 1,1 )	3,1 ( 7 )
247289 / 247089	MF5757 / XF5757 (FTM638)	356 mm (14 in)	4,9 ( 1,3 )	3,6 ( 8 )
<b>P2 Gun</b>				
GCP2RA	GC250A w/GC251A	127 mm (5 in)	1,5 ( 0,4 )	1,5 ( 3 )
GCP2R0	GC2500 w/GC2510	229 mm (9 in)	4,1 ( 1,1 )	3,6 ( 8 )
GCP2R1	GC2501 w/GC2511	254 mm (10 in)	6,1 ( 1,6 )	5,4 ( 12 )
GCP2R2	GC2502 w/ GC2512	305 mm (12 in)	9,4 ( 2,5 )	12,7 ( 6 )
GCP2R3	GC2503 w/ GC2513	356 mm (14 in)	NA	21,8 ( 4 )
GCP2R4	GC2504 w/ GC2514	394 mm (15.5 in)	NA	24,1 ( 9 )
GCP2R5	GC2505 w/ GC2515	457 mm (18 in)	NA	32,7 ( 6 )
<b>P2 Elite Gun</b>				
GCP3RA	GC250A w/GC251A	127 mm (5 in)	1,5 ( 0,4 )	1,5 ( 3 )
GCP3R0	GC2500 w/GC2510	229 mm (9 in)	4,1 ( 1,1 )	3,6 ( 8 )
GCP3R1	GC2501 w/GC2511	254 mm (10 in)	6,1 ( 1,6 )	5,4 ( 12 )
GCP3R2	GC2502 w/ GC2512	305 mm (12 in)	9,4 ( 2,5 )	12,7 ( 6 )
GCP3R3	GC2503 w/ GC2513	356 mm (14 in)	NA	21,8 ( 4 )
GCP3R4	GC2504 w/ GC2514	394 mm (15.5 in)	NA	24,1 ( 9 )
GCP3R5	GC2505 w/ GC2515	457 mm (18 in)	NA	32,7 ( 6 )
<b>P2 Auto Gun</b>				
GCP4RA	GC250A w/GC251A	127 mm (5 in)	1,5 ( 0,4 )	1,5 ( 3 )
GCP4R0	GC2500 w/GC2510	229 mm (9 in)	4,1 ( 1,1 )	3,6 ( 8 )
GCP4R1	GC2501 w/GC2511	254 mm (10 in)	6,1 ( 1,6 )	5,4 ( 12 )
GCP4R2	GC2502 w/ GC2512	305 mm (12 in)	9,4 ( 2,5 )	12,7 ( 6 )
GCP4R3	GC2503 w/ GC2513	356 mm (14 in)	NA	21,8 ( 4 )
GCP4R4	GC2504 w/ GC2514	394 mm (15.5 in)	NA	24,1 ( 9 )
GCP4R5	GC2505 w/ GC2515	457 mm (18 in)	NA	32,7 ( 6 )

## PART NUMBER EXAMPLES

### FT0438

Fusion CS or Fusion AP Flat Tip  
 Fan Pattern Width = 8 in (203 mm) (double this number)  
 Tip Orifice Size = .038 in (0,96 mm)



### RD0202

Fusion CS Round Mix Chamber  
 First 02 = "A" (ISO) Chamber Size  
 Second 02 = "B" (RES) Chamber Size



### AF4242

Fusion AP Flat Mix Chamber  
 First 42 = "A" (ISO) Orifice Size = .042 in (1,6 mm)  
 Second 42 = "B" (RES) Orifice Size = .042 in (1,6 mm)



### FTM424

Fusion MP Flat Tip Mechanical  
 Fan Pattern Width = 8 in (203 mm) (double this number)  
 Tip Orifice Size = .024 in (0,61 mm)



### RTM030

Fusion MP Round Tip Mechanical  
 Tip Orifice Size = .030 in (0,76 mm)



### MR 3535

Fusion MP Mechanical Round Mix Module  
 First 35 = "A" (ISO) Orifice Size = .035 in (0,89 mm)  
 Second 35 = "B" (RES) Orifice Size = .035 in (0,89 mm)



# Ordering Information



## PROPORTIONER ACCESSORIES

- 15B593 ..... Membrane switch shield
- 15B742 ..... Wire harness extension for display, 15m (50 ft)
- 248921..... Heated hose controller, 350 watt, allows Reactor heated hose extended past 91m (300 ft). Requires 200-230 volts at 15 amps
- 15F028..... Band heater, 1000 watt, for 208l (55 gal) drum, 230 volt
- 206995..... TSL, 0.95l (1 qt)
- 206996..... TSL, 3.8l (1 gal)
- 246085..... Data reporting kit
- 247827..... Heater control module
- 247828..... A, B hose heater power module
- 247838..... Modular heater control to retrofit electric/hydraulic units
- 249634..... Cold spray kit – includes Ultra-Lite gun and restrictor valve. For Reactor E-10 models only.
- 249635..... Joint fill kit – includes Ultra-Lite gun and extension tip. For Reactor E-10 models only.
- 255148..... Circulation valve kit – includes ISO and resin circulation valves
- 255149..... Circulation valve – ISO only
- 255150..... Circulation valve – resin only
- 248122..... Reactor conversion kit 1-ph to 3-ph, 230V
- 248123..... Reactor conversion kit 3-ph to 1-ph, 230V
- GC1845 ..... ISO Pump Lube System kit
- 261669..... Fluid temperature sensor



## HEATED HOSES

### HOSES, 2000 PSI (138 BAR, 13.8 MPA)

- 246045..... 6.3 mm x 15 m (1/4 in x 50 ft)
- 246046..... 9.5 mm x 15 m (3/8 in x 50 ft)
- 246047..... 12.7 mm x 15 m (1/2 in x 50 ft)
- 246048..... 6.3 mm x 7.6 m (1/4 in x 25 ft)
- 246049..... 9.5 mm x 7.6 m (3/8 in x 25 ft)
- 246074..... 6.3 mm x 15 m (1/4 in x 50 ft) no thermocouple wire
- 246075..... 9.5 mm x 15 m (3/8 in x 50 ft), no thermocouple wire
- 246076..... 12.7 mm x 15 m (1/2 in x 50 ft), no thermocouple wire
- 246678..... 9.5 mm x 15 m (3/8 in x 50 ft), with Scuffguard™
- 246050..... Whip hose: 6.3 mm x 3 m (1/4 in x 10 ft) with Scuffguard
- 249586..... Whip hose: 6.3 mm x 91 cm (1/4 in x 3 ft) with Scuffguard
- 255089..... 6.3 mm x 9.5 mm x 15 m (1/4 in x 3/8 in x 50 ft) with Scuffguard
- 256407..... Unheated whip hose, 1.8m (6 ft)
- 256549..... 9.5 mm x 15 m (3/8 in x 50 ft) no thermocouple wire, with Scuffguard

### HOSES, 3500 PSI (240 BAR, 24.0 MPA)

- 246052..... 6.3 mm x 15 m (1/4 in x 50 ft)
- 246053..... 9.5 mm x 15 m (3/8 in x 50 ft)
- 246054..... 12.7 mm x 15 m (1/2 in x 50 ft)
- 246679..... 9.5 mm x 15 m (3/8 in x 50 ft), with Scuffguard
- 246055..... Whip hose: 6.3 mm x 3 m (1/4 in x 10 ft), with Scuffguard
- 246056..... Whip hose: 9.5 mm x 3 m (3/8 in x 10 ft), with Scuffguard
- 249588..... 9.5 mm x 15 m (3/8 in x 50 ft) no thermocouple wire
- 256548..... 12.7 mm x 15 m (1/2 in x 50 ft) with Scuffguard
- 261335..... 12.7 mm x 15 m (1/2 in x 50 ft) no thermocouple wire
- 247164..... 6.3 mm x 9.5 mm x 15 m (1/4 in x 3/8 in x 50 ft) with Scuffguard
- 261336..... 9.5 mm x 12.7 mm x 15 m (3/8 in x 1/2 in x 50 ft)
- 256626..... Unheated whip hose, 1.8m (6 ft)

### HOSE ACCESSORIES

- 246077 ..... 3m (10 ft) braided polyester mesh Scuffguard
- 246078 ..... 15m (50 ft) braided polyester mesh Scuffguard
- 246456 ..... 15m (50 ft) polyethylene Scuffguard
- 246805 ..... 7.6m (25 ft) braided polyester mesh Scuffguard
- 24J523 ..... 15m (50 ft) Fluid Temperature Sensor (FTS) cable
- 24J524 ..... 7.6m (25 ft) Fluid Temperature Sensor (FTS) cable
- 261669 ..... Fluid temperature sensor
- 261821 ..... Power-lock™ splice kit
- 15M312..... Power-lock splice kit (20-pk) (enough for 10 hoses)



## SUPPLY PUMPS AND AGITATORS

### COMPLETE SUPPLY PUMP SYSTEMS

*(Includes the following: All air and fluid fittings, hoses for two pumps.)*

- 247955..... Complete T1 (247956) supply pump system
- 246081..... Complete T2 (246898) supply pump system
- 246655..... Complete Triton™ 308 (246677) supply pump system
- 246369..... Complete Husky™ 515 (246481) supply pump system
- 246375..... Complete Husky™ 716 (246482) supply pump system
- 246376..... Complete Husky™ 1050 (246676) supply pump system

### SUPPLY PUMPS WITH DRUM RISER TUBE

- 256200..... T1 2:1 ratio piston pump for higher viscosity materials, 25 bar (360 psi) max fluid pressure, 9,5 liter (2.5 gpm) @ 100 cpm
- 295616..... T2 2:1 ratio piston pump for higher viscosity materials, 28 bar (405 psi) max fluid pressure, 24 liter (5.0 gpm) @ 100 cpm
- 246654..... Triton 308 diaphragm pump, aluminium, 3/8 in fluid outlet, 8 bar (115 psi) max air inlet, 7,6 liter (2.0 gpm) @ 60 cpm
- 246366..... Husky 515 diaphragm pump, acetal bolted design, 6,8 bar (100 psi) max air inlet, 28 liter (7.5 gpm) @ 60 cpm
- 246367..... Husky 716 diaphragm pump, aluminium clamped design, 6,8 bar (100 psi) max air inlet, 28 liter (7.5 gpm) @ 60 cpm
- 246368..... Husky 1050 diaphragm pump for trailer mounts – aluminium, bolted, wall mount, 8,6 bar (125 psi) max air inlet, 34 liter (9 gpm) @ 60 cpm
- 248825..... 5:1 Monark™ drum pump, for high viscosity materials, 900 psi max fluid psi, 3m(10 ft) hose, 3/4 npt (m), air regulator, manual 310863

### TWO SUPPLY PUMPS WITH FLUID PLUMBING

- 247956..... T1 pumps with supply hoses
- 246898..... T2 pumps with supply hoses
- 246677..... Triton 308 (246654), 3m x 19mm (10 ft x 3/4 in) supply hose
- 246481..... Husky 515 (246366), 3m x 19mm (10 ft x 3/4 in) supply hose
- 246482..... Husky 716 (246367), 3m x 19mm (10 ft x 3/4 in) supply hose
- 246676..... Husky 1050 (246368), 3m x 19mm (10 ft x 3/4 in) supply hose, 1.8m x 19mm (6 ft x 3/4 in) suction hose

### SUPPLY PUMP ACCESSORIES

- 246419..... 208l (55 gal) feed pump tube with inlet ball check
- 246477..... 19mm (3/4 in (19 mm) bung return tube with air dryer port
- 246483..... Air distribution kit, 8.4 bar (120 psi, 0.84 MPa) for two feed pumps and a Fusion gun
- 247616..... Desiccant dryer kit
- 246978..... Reactor manifold circulation kit with return tubes, return fluid lines and dryers
- 15C381 ..... Desiccant replacement

### AGITATORS

- 224854..... Twistork CS, air-operated, 1-1/2 HP, 0.9m (37.3 in) length
- 235534..... Twistork SST, air-operated, 1-1/2 HP, 0.9m (37.3 in) length
- 236629..... Twistork SST, air-operated with built-in return tube, 3/4 HP, 1.2m (47.5 in) in length
- 248824..... Twistork CS, air-operated (224854), 1-1/2 HP, 0.9m (37.3 in) with air hose
- 24C728 ..... Expanding blade mixer, low viscosity, up to 1000 centipoise
- 24C729 ..... Expanding blade mixer, high-viscosity, up to 2000 centipoise

# Ordering Information



## LIQUID PURGE GUNS

### FUSION CS GUN, ROUND

CS20RD ..... RD2020 (000) round mix chamber (.020 orifice size)  
CS00RD ..... RD0000 (00) round mix chamber (.029 orifice size)  
CS01RD ..... RD0101 (01) round mix chamber (.042 orifice size)  
CS02RD ..... RD0202 (02) round mix chamber (.052 orifice size)  
CS03RD ..... RD0303 (03) round mix chamber (.060 orifice size)

### FUSION CS GUN, WIDE ROUND

CS22WD ..... WD2222 wide mix chamber (.022 orifice size)  
CS00WD ..... WD0000 wide mix chamber (.028 orifice size)  
CS01WD ..... WD0101 wide mix chamber (.039 orifice size)  
CS02WD ..... WD0202 wide mix chamber (.046 orifice size)  
CS03WD ..... WD0303 wide mix chamber (.057 orifice size)

### FUSION CS GUN, FLAT

CS20F1 ..... FL2020 mix chamber with FT0424 flat tip (0,61 orifice size)  
CS20F2 ..... FL2020 mix chamber with FT0438 flat tip (0,97 orifice size)  
CS00F1 ..... FL0000 mix chamber with FT0424 flat tip (0,61 orifice size)  
CS00F2 ..... FL0000 mix chamber with FT0438 flat tip (0,97 orifice size)  
CS00F3 ..... FL0000 mix chamber with FT0624 flat tip (0,61 orifice size)  
CS00F4 ..... FL0000 mix chamber with FT0638 flat tip (0,97 orifice size)  
CS00F5 ..... FL0000 mix chamber with FT0838 flat tip (0,97 orifice size)  
CS00F6 ..... FL0000 mix chamber with FT0848 flat tip (1,22 orifice size)  
CS01F1 ..... FL0101 mix chamber with FT0424 flat tip (0,61 orifice size)  
CS01F2 ..... FL0101 mix chamber with FT0438 flat tip (0,97 orifice size)  
CS01F3 ..... FL0101 mix chamber with FT0624 flat tip (0,61 orifice size)  
CS01F4 ..... FL0101 mix chamber with FT0638 flat tip (0,97 orifice size)  
CS01F5 ..... FL0101 mix chamber with FT0838 flat tip (0,97 orifice size)  
CS01F6 ..... FL0101 mix chamber with FT0848 flat tip (1,22 orifice size)  
CS02F1 ..... FL0202 mix chamber with FT0424 flat tip (0,61 orifice size)  
CS02F2 ..... FL0202 mix chamber with FT0438 flat tip (0,97 orifice size)  
CS02F3 ..... FL0202 mix chamber with FT0624 flat tip (0,61 orifice size)  
CS02F4 ..... FL0202 mix chamber with FT0638 flat tip (0,97 orifice size)  
CS02F5 ..... FL0202 mix chamber with FT0838 flat tip (0,97 orifice size)  
CS02F6 ..... FL0202 mix chamber with FT0848 flat tip (1,22 orifice size)

### FUSION CS PARTS AND ACCESSORIES

256385 ..... ClearShot Liquid Cartridges - pack of 25  
256386 ..... ClearShot Liquid Cartridges - pack of 50  
256387 ..... ClearShot Liquid Cartridges - pack of 100  
117773 ..... Fusion grease (248280 - pack of 10)  
118665 ..... Fusion lube (248279 - pack of 10)  
246357 ..... Gun filter, 40 mesh - pack of 10  
246358 ..... Gun filter, 60 mesh - pack of 10  
246359 ..... Gun filter, 80 mesh - pack of 10  
248132 ..... Fluid housing O-ring, large - pack of 6  
248648 ..... Fluid housing O-ring, mix chamber - pack of 6  
256414 ..... Cover retainer kit - pack of 5  
256415 ..... Front cover, round kit - pack of 5  
256416 ..... Front cover, tip kit - pack of 5  
256454 ..... Air piston kit  
256455 ..... Spool valve kit  
256456 ..... Variable flow kit  
256457 ..... Front end replacement kit  
256459 ..... A Side valve kit  
256460 ..... B Side valve kit

### FUSION CS PARTS AND ACCESSORIES (continued)

256461 ..... Fluid head checks kit  
256462 ..... Hose manifold checks kit  
256463 ..... Side seal housings kit  
256464 ..... Side seals kit  
256466 ..... Hose manifold kit  
256465 ..... Polycarballoy seals kit, pack of 2  
256469 ..... Hose manifold check O-rings kit  
256470 ..... Air piston O-ring kit  
256471 ..... Fluid head O-ring kit  
256472 ..... Back cap O-ring kit  
256467 ..... Side seal O-rings - pack of 6  
256468 ..... Side seal housing O-rings - pack of 6  
256489 ..... Polycarballoy seals kit, pack of 20  
256490 ..... Complete O-rings repair kit  
256510 ..... Fusion CS solvent flush kit  
256526 ..... Fusion CS gun clean out drill kit  
256566 ..... Fusion CS recirc manifold kit  
256567 ..... Tip retainer kit  
256569 ..... Fusion CS TP100 tip kit  
256570 ..... Fusion CS stud wall tip kit  
256640 ..... O-ring, fluid head checks kit - pack of 6  
256641 ..... Fusion CS flush manifold kit  
258996 ..... CS Adapter Block, used with AP hose manifold  
256642 ..... Inlet cover kit  
256650 ..... TP100 seals - pack of 5  
256651 ..... Stud wall tip seals - pack of 5  
256771 ..... Check valve O-ring, radial - pack of 6  
256772 ..... Air piston O-ring, small - pack of 6  
256773 ..... Fluid housing O-ring, small - pack of 6  
256774 ..... Variable flow O-ring - pack of 6  
256775 ..... Air piston O-ring, large - pack of 6  
256923 ..... Side seal springs - pack of 10  
256977 ..... Studwall retainer kit / TP 100  
256978 ..... Studwall housing kit / TP 100  
257142 ..... Polycarballoy side seal housing kit  
257419 ..... Check valve spring - pack of 10  
257420 ..... Check ball - pack of 10  
257421 ..... Check valve retainer - pack of 10  
257422 ..... Check valve kit, Fusion CS (ISO)  
257423 ..... Check valve kit, Fusion CS (resin)  
257424 ..... Dosing piston with O-rings  
257426 ..... Variable flow O-ring kit - pack of 6  
257427 ..... Check valve housing (ISO) - pack of 10  
257428 ..... Check valve housing (resin) - pack of 10

### FUSION CS MIX CHAMBER KITS

*(Includes clean-out tools)*

FL2020 ..... Fusion CS 2020 flat mix chamber kit  
FL0000 ..... Fusion CS 2929 flat mix chamber kit  
FL0101 ..... Fusion CS 4242 flat mix chamber kit  
FL0202 ..... Fusion CS 5252 flat mix chamber kit  
RD2020 ..... Fusion CS 2020 round mix chamber kit  
RD0000 ..... Fusion CS 2929 round mix chamber kit  
RD0101 ..... Fusion CS 4242 round mix chamber kit  
RD0202 ..... Fusion CS 5252 round mix chamber kit  
RD0303 ..... Fusion CS 6060 round mix chamber kit  
WD2222 ..... Fusion CS 2222 wide mix chamber kit  
WD0000 ..... Fusion CS 2828 wide mix chamber kit  
WD0101 ..... Fusion CS 3939 wide mix chamber kit  
WD0202 ..... Fusion CS 4646 wide mix chamber kit  
WD0303 ..... Fusion CS 5757 wide mix chamber kit



## AIR-PURGE GUNS

### FUSION AIR-PURGE GUNS, ROUND

246099..... AR2020 (000) mix chamber (0.020 orifice size)  
246100..... AR2929 (00) mix chamber (0.029 orifice size)  
246101..... AR4242 (01) mix chamber (0.042 orifice size)  
246102..... AR5252 (02) mix chamber (0.052 orifice size)  
246103..... AR6060 (03) mix chamber (0.060 orifice size)  
246104..... AR7070 (04) mix chamber (0.070 orifice size)  
246105..... AR8686 (05) mix chamber (0.086 orifice size)  
248617..... Gun Fusion AP AR3737  
24D581 ..... AW2828 (00) wide round pattern  
249529..... AW3939 (01) wide round pattern  
249530..... AW4646 (02) wide round pattern  
248408..... Adhesive/spatter gun for fleeceback roofing systems AR7070  
249525..... Stud wall gun w/AF4242 and FTM979  
249526..... Stud wall gun w/AF5252 and FTM979

### FUSION AIR-PURGE MIX CHAMBERS, ROUND

*(Includes clean-out tools)*

AR2020 ..... (000) mix chamber (0.020 orifice size)  
AR2929 ..... (00) mix chamber (0.029 orifice size)  
AR3737 ..... Mix chamber with (between 0.029 and 0.042 orifice size)  
AR4242 ..... (01) mix chamber (0.042 orifice size)  
AR5252 ..... (02) mix chamber (0.052 orifice size)  
AR6060 ..... (03) mix chamber (0.060 orifice size)  
AR7070 ..... (04) mix chamber (0.070 orifice size)  
AR8686 ..... (05) mix chamber (0.086 orifice size)

### FUSION AIR-PURGE MIX CHAMBERS, WIDE ROUND

*(Includes clean-out tools)*

AW2222..... 50% wider pattern, compares to AR2020  
AW2828..... 50% wider pattern, compares to AR2929  
AW3333..... 50% wider pattern, compares to AR3737  
AW3939..... 50% wider pattern, compares to AR4242  
AW4646..... 50% wider pattern, compares to AR5252  
AW5757..... 50% wider pattern, compares to AR6060  
AW6464..... 50% wider pattern, compares to AR7070  
AW8282..... 50% wider pattern, compares to AR8686

### FUSION AIR-PURGE GUN, FLAT

247101..... AF2020 mix chamber with FT0424 flat tip  
247102..... AF2020 mix chamber with FT0438 flat tip  
247103..... AF2020 mix chamber with FT0624 flat tip  
247104..... AF2020 mix chamber with FT0638 flat tip  
247107..... AF2020 mix chamber with FT0838 flat tip  
247108..... AF2020 mix chamber with FT0848 flat tip  
247111..... AF2929 mix chamber with FT0424 flat tip  
247112..... AF2929 mix chamber with FT0438 flat tip  
247113..... AF2929 mix chamber with FT0624 flat tip  
247114..... AF2929 mix chamber with FT0638 flat tip  
247117..... AF2929 mix chamber with FT0838 flat tip  
247118..... AF2929 mix chamber with FT0848 flat tip  
247121..... AF4242 mix chamber with FT0424 flat tip  
247122..... AF4242 mix chamber with FT0438 flat tip  
247123..... AF4242 mix chamber with FT0624 flat tip  
247124..... AF4242 mix chamber with FT0638 flat tip  
247127..... AF4242 mix chamber with FT0838 flat tip  
247128..... AF4242 mix chamber with FT0848 flat tip  
247131..... AF5252 mix chamber with FT0424 flat tip  
247132..... AF5252 mix chamber with FT0438 flat tip  
247133..... AF5252 mix chamber with FT0624 flat tip  
247134..... AF5252 mix chamber with FT0638 flat tip  
247137..... AF5252 mix chamber with FT0838 flat tip  
247138..... AF5252 mix chamber with FT0848 flat tip

### FUSION AIR-PURGE MIX CHAMBERS, FLAT

*(Includes clean-out tool and O-ring)*

AF2020..... (000) mix chamber  
AF2033..... Off-ratio mix chamber  
AF2929..... (00) mix chamber  
AF2942..... Off-ratio mix chamber  
AF4242..... (01) mix chamber  
AF5252..... (02) mix chamber

### FUSION AIR-PURGE TIPS, FLAT

FT0424..... Low fluid flow, 200 to 250mm (8 to 10 in) tip pattern  
FT0438..... Medium fluid flow, 200 to 250mm (8 to 10 in) pattern  
FT0624..... Low fluid flow, 300 to 350mm (12 to 14 in) tip pattern  
FT0638..... Medium fluid flow, 300 to 350mm (12 to 14 in) tip pattern  
FT0838..... Medium fluid flow, 400 to 450mm (16 to 18 in) pattern  
FT0848..... High fluid flow, 400 to 450mm (16 to 18 in) pattern

### FUSION AIR-PURGE WITH POLYCARBALLOY OPTIONS

255201..... AP Fusion w/ PolyCarballoy side seal - AR4242(01) mix chamber  
255202..... AP Fusion w/ PolyCarballoy side seal - AR5252(02) mix chamber  
249990..... PolyCarballoy side seals, pack of 2  
277298..... PolyCarballoy side seals, pack of 50

### FUSION AIR-PURGE PARTS AND ACCESSORIES

15B772 ..... 3.18 mm (1/8 in) air hose, 0.46m (18 in) long,  
use to attach gun to whip hose  
15D234 ..... Flat tip clean-out tool  
15B210 ..... Air cap, round pattern, for Fusion Air-Purge Gun  
15B801 ..... Air cap, flat pattern, for Fusion Air-Purge Gun  
15B565 ..... Ball valve  
15B817 ..... Gun flush manifold block  
15D546 ..... Fusion gun cleaning kit  
117509..... 1/4 npt male quick disconnect, air  
117510..... 1/4 npt female quick disconnect, air  
117661..... Pin vise, double-ended pin vise, with reversible chucks  
117773..... Fusion grease, 3 oz cartridge (248280 – pack of 10)  
117792..... Fusion grease gun  
118665..... Fusion lube, 4 oz tube (248279 – pack of 10)  
119386..... Drill bit kit, 20 piece, #61 - #81  
244914..... Air-Purge gun cover kit, pack of 10  
246012..... Fluid manifold assembly  
246347..... Side seal O-ring kit, includes (6) O-rings for both cartridges  
246348..... Side seal kit, includes (2) side seals with O-rings  
246349..... A (ISO) cartridge assembly, A-side, SST, seal and O-rings  
246350..... B (Poly) cartridge assembly, B-side, SST, seal and O-rings  
246351..... Check valve seal repair kit  
246352..... Check valve assembly, B (Poly)  
246354..... O-ring, clean off air, pack of 6  
246355..... Gun seal repair kit, includes all necessary O-rings for the entire  
gun assembly  
246356..... Fluid manifold valve repair kit  
246357..... Gun filter, 40 mesh, pack of 10  
246358..... Gun filter, 60 mesh, pack of 10  
246359..... Gun filter, 80 mesh, pack of 10  
246360..... Flat tip sealing O-ring kit, pack of 3  
246361..... Quick change front half spray head kit, includes entire spray  
head assembly less mix chamber. Order mix chamber separately.  
246731..... Check valve assembly, A (ISO)  
246944..... Manifold conversion kit; converts Fusion manifold to fit a GX-7  
gun. Fusion manifold 246012 not included.  
246945..... Manifold conversion kit; converts GX-7 manifold to fit a fusion  
gun

# Ordering Information



## AIR-PURGE GUNS *Continued*

- 248129..... Check valve O-ring, radial, pack of 6
- 248130..... Side seal housing O-ring kit, pack of 6
- 248132..... O-ring, fluid housing, pack of 6
- 248133..... Check valve O-ring, face, pack of 6
- 248139..... Solvent flush kit, 1 qt (.95 l) pressurized container for solvent flushing gun before service
- 248229..... 5 gal Fusion Gun flush system
- 248279..... Fusion lube for lubricating threads, O-rings, components, pack of 10
- 248280..... Fusion grease, pack of 10
- 248414..... Adhesive/spatter kit, converts Fusion Air-Purge to adhesive/spatter gun
- 248415..... Tip for adhesive/spatter gun
- 248528..... Fusion Air-Purge pour adapter kit

## FUSION AIR-PURGE EXTENSION TIP KITS

- 248010..... Extension tip kit for AR2020/AF2929 mix chamber
- 248011..... Extension tip kit for AR2929/AF2929 mix chamber
- 248012..... Extension tip kit for AR4242/AF4242 mix chamber
- 248013..... Extension tip kit for AR5252/AF5252 mix chamber
- 248014..... Extension tip kit for AR2020/AF2929 mix chamber
- 248015..... Extension tip kit for AR2929/AF2929 mix chamber
- 248016..... Extension tip kit for AR4242/AF4242 mix chamber
- 248017..... Extension tip kit for AR5252/AF5252 mix chamber
- 248020..... Extension tip air cap kit
- 248018..... Flat extension tip seal kit
- 248019..... Round extension tip seal kit
- 249421..... Fusion stud wall kit
- 24C358 ..... Fusion TP 100 tip kit

## P2 GUNS

- GCP2R0 ..... Probler 2 Gun Assembly
- GCP2R1 ..... Probler 2 Gun Assembly
- GCP2R2 ..... Probler 2 Gun Assembly
- GCP2R3 ..... Probler 2 Gun Assembly
- GCP2R4 ..... Probler 2 Gun Assembly
- GCP2R5 ..... Probler 2 Gun Assembly
- GCP2RA..... Probler 2 Gun Assembly

## P2 ELITE GUNS

- GCP3R0 ..... Probler P2 Elite Gun Assembly
- GCP3R1 ..... Probler P2 Elite Gun Assembly
- GCP3R2 ..... Probler P2 Elite Gun Assembly
- GCP3R3 ..... Probler P2 Elite Gun Assembly
- GCP3R4 ..... Probler P2 Elite Gun Assembly
- GCP3R5 ..... Probler P2 Elite Gun Assembly
- GCP3RA..... Probler P2 Elite Gun Assembly

## P2 AUTO GUNS

- GCP4R0 ..... Probler 2 Automatic Gun
- GCP4R1 ..... Probler 2 Automatic Gun
- GCP4R2 ..... Probler 2 Automatic Gun
- GCP4R3 ..... Probler 2 Automatic Gun
- GCP4R4 ..... Probler 2 Automatic Gun
- GCP4R5 ..... Probler 2 Automatic Gun
- GCP4RA..... Probler 2 Automatic Gun

## P2 SPARE PARTS AND ACCESSORIES

- GC1892 ..... P2 Elite conversion kit
- GC1937 ..... P2 standard repair kit
- GC1938 ..... P2 flat spray kit
- GC1946 ..... Side seal kit
- GC1947 ..... P2 00-03 gun hardware kit
- GC1948 ..... P2 AA gun hardware kit
- GC1949 ..... P2 04-05 gun hardware kit
- GC1950 ..... Premium repair kit
- GC1952 ..... P2 0.059 jet nozzle
- GC1953 ..... P2 0.07 jet nozzle
- GC1954 ..... P2 pour cap
- GC1955 ..... P2 LP/HP static mixer adapter
- GC1956 ..... P2 static mixer assembly (non-nucleated)
- GC1957 ..... P2 400mm (16-in) stud wall spray tip
- GC1958 ..... P2 600mm (24-in) stud wall spray tip
- GC1959 ..... P2 delay plug
- GC2494 ..... P2 seal kit
- GC2495 ..... P2 seal housing kit
- GC2496 ..... P2 40 mesh filter kit
- GC2497 ..... P2 100 mesh filter kit
- GC2498 ..... P2 side seal kit
- GC2499 ..... P2 handle kit
- GC2500 ..... P2 round 00 mix chamber kit
- GC2501 ..... P2 round 01 mix chamber kit
- GC2502 ..... P2 round 02 mix chamber kit
- GC2503 ..... P2 round 03 mix chamber kit
- GC2504 ..... P2 round 04 mix chamber kit
- GC2505 ..... P2 round 05 mix chamber kit
- GC250A ..... P2 round AA mix chamber kit
- GC2510 ..... Mix chamber 00 insert kit
- GC2511 ..... Mix chamber 01 insert kit
- GC2512 ..... Mix chamber 02 insert kit
- GC2513 ..... Mix chamber 03 insert kit
- GC2514 ..... Mix chamber 04 insert kit
- GC2515 ..... Mix chamber 05 insert kit
- GC251A ..... Mix chamber AA insert kit
- 257988..... P2 Elite chopper attachment, B-410
- 257989..... P2 Elite chopper attachment, B-510





## MECHANICAL-PURGE GUNS

### FUSION MECHANICAL-PURGE GUNS, DI, FLAT

247050..... Fusion MP direct impingement, flat pattern XF1313, FTM317  
247051..... Fusion MP direct impingement, flat pattern XF1313, FTM424  
247057..... Fusion MP direct impingement, flat pattern XF1818, FTM317  
247058..... Fusion MP direct impingement, flat pattern XF1818, FTM424  
247061..... Fusion MP direct impingement, flat pattern XF2323, FTM424  
247062..... Fusion MP direct impingement, flat pattern XF2323, FTM438  
247063..... Fusion MP direct impingement, flat pattern XF2323, FTM624  
247065..... Fusion MP direct impingement, flat pattern XF2929, FTM424  
247066..... Fusion MP direct impingement, flat pattern XF2929, FTM438  
247067..... Fusion MP direct impingement, flat pattern XF2929, FTM624  
247073..... Fusion MP direct impingement, flat pattern XF3535, FTM438  
247074..... Fusion MP direct impingement, flat pattern XF3535, FTM624  
247075..... Fusion MP direct impingement, flat pattern XF3535, FTM638  
247081..... Fusion MP direct impingement, flat pattern XF4747, FTM624  
247082..... Fusion MP direct impingement, flat pattern XF4747, FTM638  
247083..... Fusion MP direct impingement, flat pattern XF4747, FTM838  
247089..... Fusion MP direct impingement, flat pattern XF5757, FTM638  
247090..... Fusion MP direct impingement, flat pattern XF5757, FTM838  
247091..... Fusion MP direct impingement, flat pattern XF5757, FTM848  
247163..... Fusion MP direct impingement, flat pattern XF2332, FTM438

### FUSION MECHANICAL-PURGE GUNS, STANDARD, FLAT

247257..... Fusion MP standard, flat pattern MF1818, FTM317  
247258..... Fusion MP standard, flat pattern MF1818, FTM424  
247265..... Fusion MP standard, flat pattern MF2929, FTM424  
247266..... Fusion MP standard, flat pattern MF2929, FTM438  
247267..... Fusion MP standard, flat pattern MF2929, FTM624  
247273..... Fusion MP standard, flat pattern MF3535, FTM438  
247274..... Fusion MP standard, flat pattern MF3535, FTM624  
247275..... Fusion MP standard, flat pattern MF3535, FTM638  
247281..... Fusion MP standard, flat pattern MF4747, FTM624  
247282..... Fusion MP standard, flat pattern MF4747, FTM638  
247283..... Fusion MP standard, flat pattern MF4747, FTM838  
247289..... Fusion MP standard, flat pattern MF5757, FTM638  
247290..... Fusion MP standard, flat pattern MF5757, FTM838  
247291..... Fusion MP standard, flat pattern MF5757, FTM848

### FUSION MECHANICAL-PURGE GUNS, DI, ROUND

247003..... Fusion MP direct impingement, round pattern XR2323, RTM040  
247006..... Fusion MP direct impingement, round pattern XR2929, RTM030  
247007..... Fusion MP direct impingement, round pattern XR2929, RTM040  
247011..... Fusion MP direct impingement, round pattern XR3535, RTM030  
247012..... Fusion MP direct impingement, round pattern XR3535, RTM040  
247013..... Fusion MP direct impingement, round pattern XR3535, RTM055  
247018..... Fusion MP direct impingement, round pattern XR4747, RTM040  
247019..... Fusion MP direct impingement, round pattern XR4747, RTM055  
247025..... Fusion MP direct impingement, round pattern XR5757, RTM055  
247026..... Fusion MP direct impingement, round pattern XR5757, RTM070

# Ordering Information



## MECHANICAL-PURGE GUNS *Continued*

### FUSION MECHANICAL-PURGE GUNS, STANDARD, ROUND

247211..... Fusion MP standard, round pattern MR3535, RTM030  
247212..... Fusion MP standard, round pattern MR3535, RTM040  
247213..... Fusion MP standard, round pattern MR3535, RTM055  
247218..... Fusion MP standard, round pattern MR4747, RTM040  
247219..... Fusion MP standard, round pattern MR4747, RTM055  
247225..... Fusion MP standard, round pattern MR5757, RTM055  
247226..... Fusion MP standard, round pattern MR5757, RTM070  
247231..... Fusion MP standard, round pattern MR6666, RTM070  
247232..... Fusion MP standard, round pattern MR6666, RTM080  
247233..... Fusion MP standard, round pattern MR6666, RTM090  
247239..... Fusion MP standard, round pattern MR8282, RTM090  
247240..... Fusion MP standard, round pattern MR8282, RTM100  
247245..... Fusion MP standard, round pattern MR9494, RTM100  
247246..... Fusion MP standard, round pattern MR9494, RTM110

### FUSION MECHANICAL-PURGE MIX MODULES

MF1818..... Standard mix module, flat  
MF2929..... Standard mix module, flat  
MF3535..... Standard mix module, flat  
MF4747..... Standard mix module, flat  
MF5757..... Standard mix module, flat  
MR3535..... Standard mix module, round  
MR4747..... Standard mix module, round  
MR5757..... Standard mix module, round  
MR6666..... Standard mix module, round  
MR8282..... Standard mix module, round  
MR9494..... Standard mix module, round  
XF1313..... Direct impingement mix module, flat  
XF1818..... Direct impingement mix module, flat  
XF1824..... Direct impingement mix module, flat  
XF2323..... Direct impingement mix module, flat  
XF2332..... Direct impingement mix module, flat  
XF2929..... Direct impingement mix module, flat  
XF3535..... Direct impingement mix module, flat  
XF4747..... Direct impingement mix module, flat  
XF5757..... Direct impingement mix module, flat  
XR2323..... Direct impingement mix module, flat  
XR2929..... Direct impingement mix module, round  
XR3535..... Direct impingement mix module, round  
XR4747..... Direct impingement mix module, round  
XR5757..... Direct impingement mix module, round

### FUSION MECHANICAL-PURGE ROUND TIPS

RTM024..... Kit, round tip, mechanical-purge  
RTM030..... Kit, round tip, mechanical-purge  
RTM040..... Kit, round tip, mechanical-purge  
RTM055..... Kit, round tip, mechanical-purge  
RTM070..... Kit, round tip, mechanical-purge  
RTM080..... Kit, round tip, mechanical-purge  
RTM090..... Kit, round tip, mechanical-purge  
RTM100..... Kit, round tip, mechanical-purge  
RTM110..... Kit, round tip, mechanical-purge

## **FUSION MECHANICAL-PURGE FLAT TIPS**

FTM317 ..... Kit, flat tip, mechanical-purge, 152mm (6 in) pattern, very low flow  
FTM424 ..... Kit, flat tip, mechanical-purge, 203mm (8 in) pattern, low flow  
FTM438 ..... Kit, flat tip, mechanical-purge, 203mm (8 in) pattern, medium flow  
FTM624 ..... Kit, flat tip, mechanical-purge, 305mm (12 in) pattern, low flow  
FTM638 ..... Kit, flat tip, mechanical-purge, 305mm (12in) pattern, medium flow  
FTM838 ..... Kit, flat tip, mechanical-purge, 406mm (16 in) pattern, medium flow  
FTM848 ..... Kit, flat tip, mechanical-purge, 406mm (16 in) pattern, high flow

## **FUSION MECHANICAL-PURGE PARTS AND ACCESSORIES**

244915 ..... Mechanical-Purge gun cover kit, pack of 10  
248603 ..... Kit converts Fusion MP gun to Solvent-Purge  
248642 ..... Static mixer assembly for Solvent-Purge Gun, 76mm (3 in)  
248682 ..... Fusion Mechanical pour adapter kit  
15D546 ..... Fusion gun cleaning kit  
119386 ..... Drill bit kit, 20-piece, #61-#81  
248000 ..... Kit, complete O-ring, Fusion MP  
248001 ..... Kit, purge rod  
248003 ..... Kit, front/rear packing, pack of 4

## **FUSION SPECIALTY GUNS**

248408 ..... Fusion AP spatter/adhesive manual gun  
248597 ..... Manual Fusion solvent-purge gun

## **AUTOMATIC FUSION**

*(All Auto Fusion kits require 4-way solenoid valves)*

115807 ..... 4-way solenoid valve, 24 volt DC  
248376 ..... Automatic Fusion AP, round, AR2929  
248377 ..... Automatic Fusion AP, round, AR4242  
248378 ..... Automatic Fusion AP, round, AR5252  
248379 ..... Automatic Fusion AP, round, AR6060  
248380 ..... Automatic Fusion AP, flat, AF2020, FT0424  
248381 ..... Automatic Fusion AP, flat, AF2929, FT0438  
248382 ..... Automatic Fusion MP, round, direct impingement, XR2929, RTM040  
248383 ..... Automatic Fusion MP, round, direct impingement, XR3535, RTM040  
248384 ..... Automatic Fusion MP, flat, direct impingement, XF1313, FTM317  
248385 ..... Automatic Fusion MP, flat, direct impingement, XF1818, FTM424  
248386 ..... Automatic Fusion MP, round, MR3535, RTM040  
248387 ..... Automatic Fusion MP, round, MR5757, RTM070  
248647 ..... Automatic Fusion, Solvent-Purge



## ABOUT GRACO

Founded in 1926, Graco is a world leader in fluid handling systems and components. Graco products move, measure, control, dispense and apply a wide range of fluids and viscous materials used in vehicle lubrication, commercial and industrial settings.

The company's success is based on its unwavering commitment to technical excellence, world-class manufacturing and unparalleled customer service. Working closely with qualified distributors, Graco offers systems, products and technology that set the quality standard in a wide range of fluid handling solutions. Graco provides equipment for spray finishing, protective coating, paint circulation, lubrication, and dispensing sealants and adhesives, along with power application equipment for the contractor industry. Graco's ongoing investment in fluid management and control will continue to provide innovative solutions to a diverse global market.

## GRACO LOCATIONS

### MAILING ADDRESS

P.O. Box 1441  
Minneapolis, MN 55440-1441  
Tel: 612-623-6000  
Fax: 612-623-6777

### AMERICAS

#### MINNESOTA

Worldwide Headquarters  
Graco Inc.  
88-11th Avenue N.E.  
Minneapolis, MN 55413

### EUROPE

#### BELGIUM

European Headquarters  
Graco BVBA  
Industrieterrein-Oude Bunders  
Slakweidestraat 31  
3630 Maasmechelen,  
Belgium  
Tel: 32 89 770 700  
Fax: 32 89 770 777

### ASIA PACIFIC

#### AUSTRALIA

Graco Australia Pty Ltd.  
Suite 17, 2 Enterprise Drive  
Bundoora, Victoria 3083  
Australia  
Tel: 61 3 9468 8500  
Fax: 61 3 9468 8599

#### CHINA

Graco Hong Kong Ltd.  
Shanghai Representative Office  
Building 7  
1029 Zhongshan Road South  
Huangpu District  
Shanghai 200011  
The People's Republic of China  
Tel: 86 21 649 50088  
Fax: 86 21 649 50077

### INDIA

Graco Hong Kong Ltd.  
India Liaison Office  
Room 432, Augusta Point  
Regus Business Centre 53  
Golf Course Road  
Gurgaon, Haryana  
India 122001  
Tel: 91 124 435 4208  
Fax: 91 124 435 4001

#### JAPAN

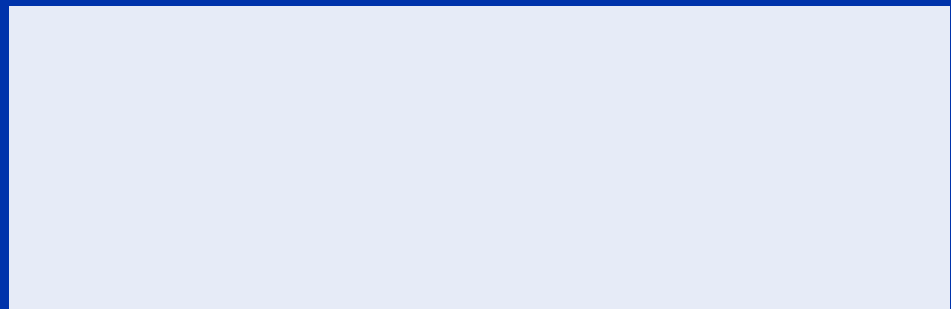
Graco K.K.  
1-27-12 Hayabuchi  
Tsuzuki-ku  
Yokohama City, Japan 2240025  
Tel: 81 45 593 7300  
Fax: 81 45 593 7301

#### KOREA

Graco Korea Inc.  
Shinhan Bank Building  
4th Floor #1599  
Gwanyang-Dong, Dongan-Ku,  
Anyang-si, Korea 431-060  
Tel: 82 31 476 9400  
Fax: 82 31 476 9801

All written and visual data contained in this document are based on the latest product information available at the time of publication. Graco reserves the right to make changes at any time without notice.

Graco is certified ISO 9001.



Europe  
+32 89 770 700  
FAX +32 89 770 777  
WWW.GRACO.COM

©2012 Graco BVBA 300615ENEU Rev.G 06/12 Printed in Europe.  
All other brand names or marks are used for identification purposes and are trademarks of their respective owners.